

Toddler Size (3 to 4 year olds)

Construction Guide
March 25, 2017

Mar 25/17 (07:39 PM)

Components

Plan 3 of 4

<p>Top members</p> <p>1 1/2" X 5 1/2" 3 >>> 2 x 6</p>	
<p>Seat members</p> <p>1 1/2" X 5 1/2" 2 >>> 2 x 6</p>	
<p>The bolt hole connections are measured from the extreme end (point of the angle) to the centre of the bolt hole. Holes are located in the centre of the member.</p>	
<p>Table supports</p> <p>3 >>> 2 x 3</p>	<p>1 1/2" X 2 1/2" <<< 40.9° (both ends)</p> <p style="text-align: right;">Bolt hole: 4 7/8"</p>
<p>Seat supports</p> <p>2 >>> 2 x 3</p>	<p>1 1/2" X 2 1/2" <<< 40.9° (both ends)</p> <p style="text-align: right;">Bolt hole: 6 1/16"</p>
<p>Legs</p> <p>4 >>> 2 x 3</p>	<p>1 1/2" X 2 1/2" <<< 40.9° (both ends)</p> <p style="text-align: right;">Bolt hole A: 2 3/4" Bolt hole B: 1"</p>
<p>Braces</p> <p>2 Custom</p>	<p>1 " X 2 5/16" <<< 22.1° (both ends)</p>

Eidsness Picnic Tables - dePlans.com

Toddler Size (3 to 4 year olds)
Construction Guide
March 25, 2017

Mar 25/17 (07:39 PM)
Setup and Angle Check
Plan 4 of 4

2'-3 1/2"

3'-9 3/16"

Table Top: 1'-4 3/4" wide by 3'-6" long.
3 >>> 2 x 6 spaced 1/8" apart.

Leg & Support Members Angle Check

10 3/8" on 12"
40.9 °

Brace Angle Check

4 7/8" on 12"
22.1 °

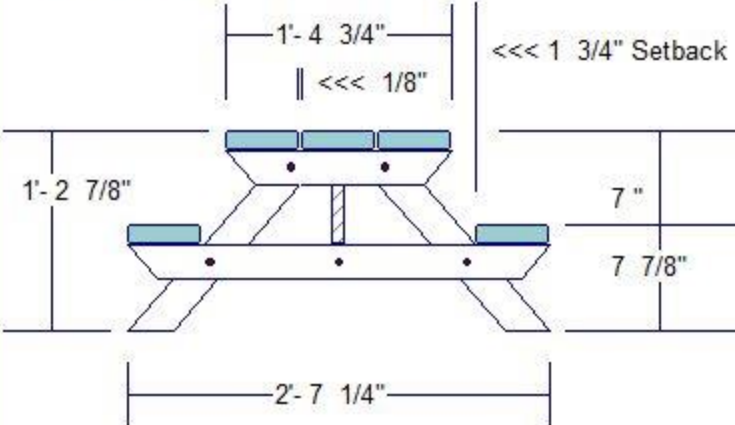
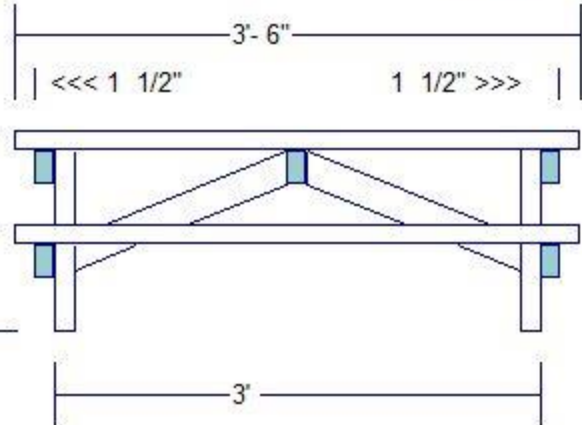
Eidsness Picnic Tables - dePlans.com

Toddler Size (3 to 4 year olds)

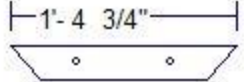
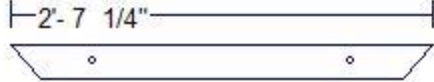
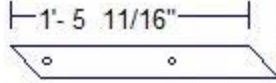
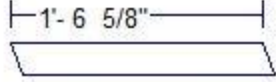
Construction Guide
March 25, 2017

Mar 25/17 (07:39 PM)

One Page Plan
Plan 1 of 1

The bolt hole connections are measured from the extreme end (point of the angle) to the centre of the bolt hole. Holes are located in the centre of the member.

Tops		1 1/2" X 2 1/2"	
3 >>> 2 x 3		<<< 40.9° (both ends)	
Seats		1 1/2" X 2 1/2"	
2 >>> 2 x 3		<<< 40.9° (both ends)	
Legs		1 1/2" X 2 1/2"	
4 >>> 2 x 3		<<< 40.9° (both ends)	
Braces		1" X 2 5/16"	
2 Custom		<<< 22.1° (both ends)	

	<p>Top members Seat members</p> <p>1 1/2" X 5 1/2" 1 1/2" X 5 1/2"</p> <p>3 >>> 2 x 6 2 >>> 2 x 6</p>
	<<< Bolt hole: 4 7/8" Set Back (Measure from the end angle point)
	<<< Bolt hole: 6 1/16"
	<<< Bolt hole A: 2 3/4"
	<<< Bolt hole B: 1"
	40.9° angle is 10 3/8" on 12"
	22.1° angle is 4 7/8" on 12"

Eidsness Picnic Tables - dePlans.com

The software interface has a single design panel that generates plans that can be saved or printed out. Printout options allows user flexibility to choose the level of detail desired from a one page plan to a small booklet.

All software programs are unique in that client data can be hard coded (pre-programmed) into the applications for advertising purposes. Client data will appear on the plans.

This windows exe program is not a package of files requiring an install program. It is a single small executable application about 3.5 MB and is based on the original complimentary program uploaded in 2009 to download.com. Nothing to install or uninstall, just click and run.

Eidsness Picnic Tables

File Examples Help

Imperial **Design Panel** Size Guide

Metric % Factor 100 Grid 2" (51 mm) Reverse end supports

Title >>> **Toddler Size**

Table total area: 9.11 ft²
Table top area: 4.89 ft²

u-design

Gaps: 1/8"

Setback: 1 3/4"

Table/Seat Length 3'-6"

Table Height 1'-2 7/8"

Seat Height 7 7/8"

Overhang 1 1/2"

Table 2 X 6 1 8 x 5 8 1 1/2" x 5 1/2"

Seat 1 2 X 6 1 8 x 5 8 1 1/2" x 5 1/2"

Legs 2 X 3 1 8 x 2 8 1 1/2" x 2 1/2"

Table Support 2 X 3 1 8 x 2 8 1 1/2" x 2 1/2"

Seat Support 2 X 3 1 8 x 2 8 1 1/2" x 2 1/2"

Brace Auto Auto 1 0 x 1" x 1 13/16"

One Page Plan End Side Components Setup Booklet

Toddler Size (3 to 4 year olds) Mar 25/17 (07:39 PM)
Construction Guide
March 25, 2017 **One Page Plan**
Plan 1 of 1

1'-4 3/4" <<< 1 3/4" Setback 3'-6" <<< 1 1/2" 1 1/2" >>>

1'-2 7/8" 7" 7 7/8" 2-7 1/4" 3"

The bolt hole connections are measured from the extreme end (point of the angle) to the centre of the bolt hole. Holes are located in the centre of the member.

Tops 3 >>> 2 x 3 1'-4 3/4" 1 1/2" X 2 1/2" <<< 40.9° (both ends)

Seats 2 >>> 2 x 3 2-7 1/4" 1 1/2" X 2 1/2" <<< 40.9° (both ends)

Legs 4 >>> 2 x 3 1'-5 11/16" 1 1/2" X 2 1/2" <<< 40.9° (both ends)

Braces 2 Custom 1'-6 5/8" 1" X 2 5/16" <<< 22.1° (both ends)

Top members 1 1/2" X 5 1/2" 1 1/2" X 5 1/2"
3 >>> 2 x 6 2 >>> 2 x 6

<<< Bolt hole: 4 7/8" Set Back (Measure from the end angle point)

<<< Bolt hole: 6 1/16"

<<< Bolt hole A: 2 3/4"
<<< Bolt hole B: 1"

40.9° angle is 10 3/8" on 12"
22.1° angle is 4 7/8" on 12"

Eidsness Picnic Tables - dePlans.com

This complementary sample plan was created from software developed by D. I. Eidsness