

(Family Adult Size)
Construction Guide
March 25, 2017

Mar 25/17 (11:26 AM)
Setup and Angle Check
Plan 4 of 4

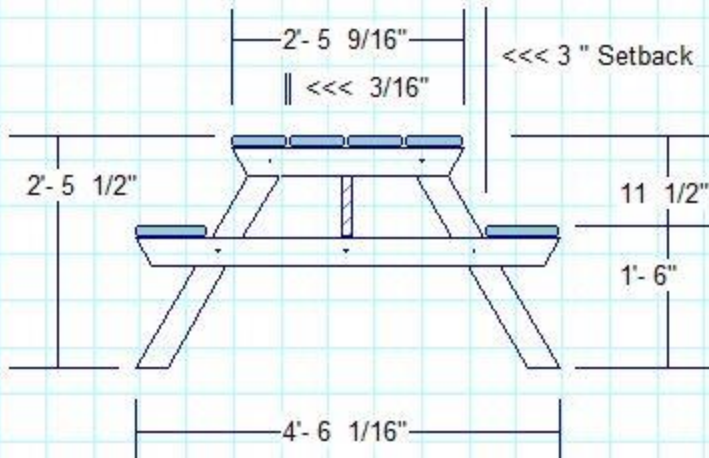
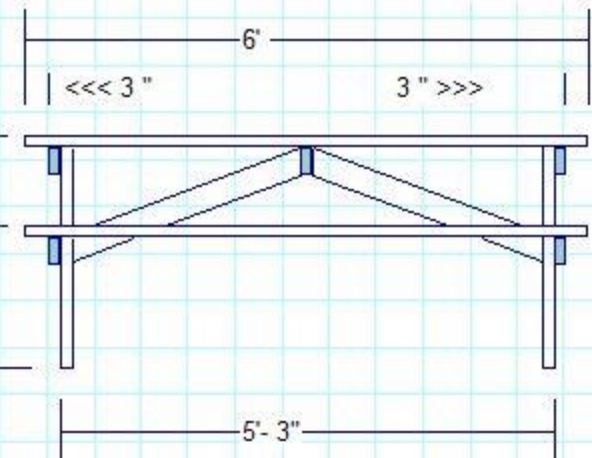
The diagram shows a technical drawing of a picnic table leg and support structure. It includes a top-down view of the leg assembly with a dimension of $4'-2 \frac{5}{16}"$ across the top. Below it is a side view of the table top with a dimension of $6'-5 \frac{13}{16}"$ across the width. To the right are two angle check diagrams. The first, titled "Leg & Support Members Angle Check", shows a right-angled triangle with a vertical leg of 7 inches and a horizontal leg of 12 inches, resulting in an angle of 30.3° . The second, titled "Brace Angle Check", shows a right-angled triangle with a vertical leg of $4 \frac{1}{2}$ inches and a horizontal leg of 12 inches, resulting in an angle of 20.5° . Both angle check diagrams include a ruler scale from 1 to 23 inches.

Table Top: 2'-5 $\frac{9}{16}"$ wide by 6' long.
4 >>> 2 x 8 spaced $\frac{3}{16}"$ apart.

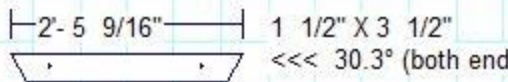
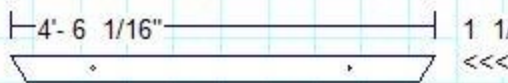
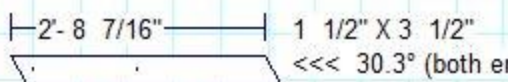

Eidsness Picnic Tables - dePlans.com

(Family Adult Size)
Construction Guide
March 25, 2017

Mar 25/17 (11:26 AM)
One Page Plan
Plan 1 of 1

The bolt hole connections are measured from the extreme end (point of the angle) to the centre of the bolt hole. Holes are located in the centre of the member.

<p>Tops 3 >>> 2 x 4</p>		<p>Top members 1 1/2" X 7 1/4" 4 >>> 2 x 8</p> <p><<< Bolt hole: 5 1/16" Set Back (Measure from the end angle point)</p>
<p>Seats 2 >>> 2 x 4</p>		<p>Seat members 1 1/2" X 9 1/4" 2 >>> 2 x 10</p> <p><<< Bolt hole: 10 5/8"</p>
<p>Legs 4 >>> 2 x 4</p>		<p><<< Bolt hole A: 3 1/16" <<< Bolt hole B: 1'-4 3/8"</p>
<p>Braces 2 Custom</p>		<p>30.3° angle is 7" on 12" 20.5° angle is 4 1/2" on 12"</p>

Eidsness Picnic Tables - dePlans.com

The software interface has a single design panel that generates plans that can be saved or printed out. Printout options allows user flexibility to choose the level of detail desired from a one page plan to a small booklet.

All software programs are unique in that client data can be hard coded (pre-programmed) into the applications for advertising purposes. Client data will appear on the plans.

This windows exe program is not a package of files requiring an install program. It is a single small executable application about 3.5 MB and is based on the original complimentary program uploaded in 2009 to download.com. Nothing to install or uninstall, just click and run.

Eidsness Picnic Tables

File Examples Help

Imperial Design Panel Size Guide

Metric % Factor 100 Grid 6" (152 mm) Reverse end supports

Title >>>

Table total area: 27.03 ft²
Table top area: 14.78 ft²

u-design

Gaps: 3/16"
Setback: 3"

Table/Seat Length 6'

Table Height table height

Seat Height 1'-6"

Overhang 3"

Table	3	2 X 8	1	8	x	7	4	1 1/2" x 7 1/4"
Seat	1	2 X 10	1	8	x	9	4	1 1/2" x 9 1/4"
Legs		2 X 4	1	8	x	3	8	1 1/2" x 3 1/2"
Table Support		2 X 4	1	8	x	3	8	1 1/2" x 3 1/2"
Seat Support		2 X 4	1	8	x	3	8	1 1/2" x 3 1/2"
Brace	<input checked="" type="checkbox"/> Auto	Auto	1	8	x			1 1/2" x 3 1/4"

One Page Plan End Side Components Setup Booklet

(Family Adult Size) Mar 25/17 (11:26 AM)
Construction Guide
March 25, 2017

One Page Plan
Plan 1 of 1

2- 5 9/16" <<< 3/16" <<< 3" Setback 6' <<< 3" 3" >>>

2- 5 1/2" 11 1/2" 1'-6" 4'-6 1/16" 5'-3"

The bolt hole connections are measured from the extreme end (point of the angle) to the centre of the bolt hole. Holes are located in the centre of the member.

Parts	Quantity	Dimensions	Notes
Tops	3 >>> 2 x 4	2- 5 9/16" 1 1/2" x 3 1/2"	<<< 30.3" (both ends)
Seats	2 >>> 2 x 4	4'- 6 1/16" 1 1/2" x 3 1/2"	<<< 30.3" (both ends)
Legs	4 >>> 2 x 4	2- 8 7/16" 1 1/2" x 3 1/2"	<<< 30.3" (both ends)
Braces	2 Custom	2- 8 13/16" 1 1/2" x 3 1/4"	<<< 20.5" (both ends)
Top members	1 1/2" x 7 1/4"		
Seat members	1 1/2" x 9 1/4"		
	4 >>> 2 x 8		<<< Bolt hole: 5 1/16" Set Back (Measure from the end angle point)
	2 >>> 2 x 10		<<< Bolt hole: 10 5/8"
			<<< Bolt hole A: 3 1/16"
			<<< Bolt hole B: 1'-4 3/8"
			30.3" angle is 7" on 12"
			20.5" angle is 4 1/2" on 12"

Eidsness Picnic Tables - dePlans.com

This complimentary sample plan was created from software developed by D. I. Eidsness