


3'- 11" Span 3 " Overhang

Construction Guide
March 31, 2017

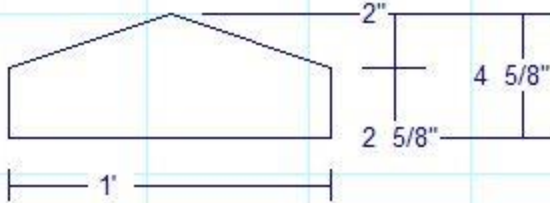
Mar 31/17 (07:51 PM)

Gussets
Plan 3 of 4

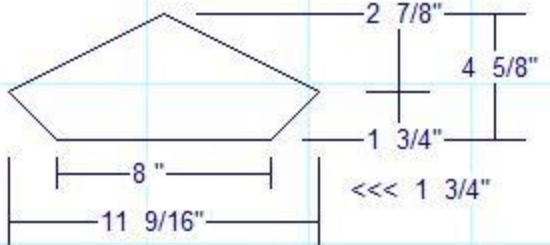


Notes

Peak Gusset
18.43 °



Mid Gusset
45 ° & 63.43 °

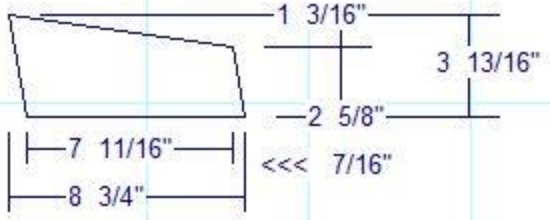


1 3/4" >>>

8" <<< 1 3/4"

11 9/16"

Wall Gusset
9.46 °

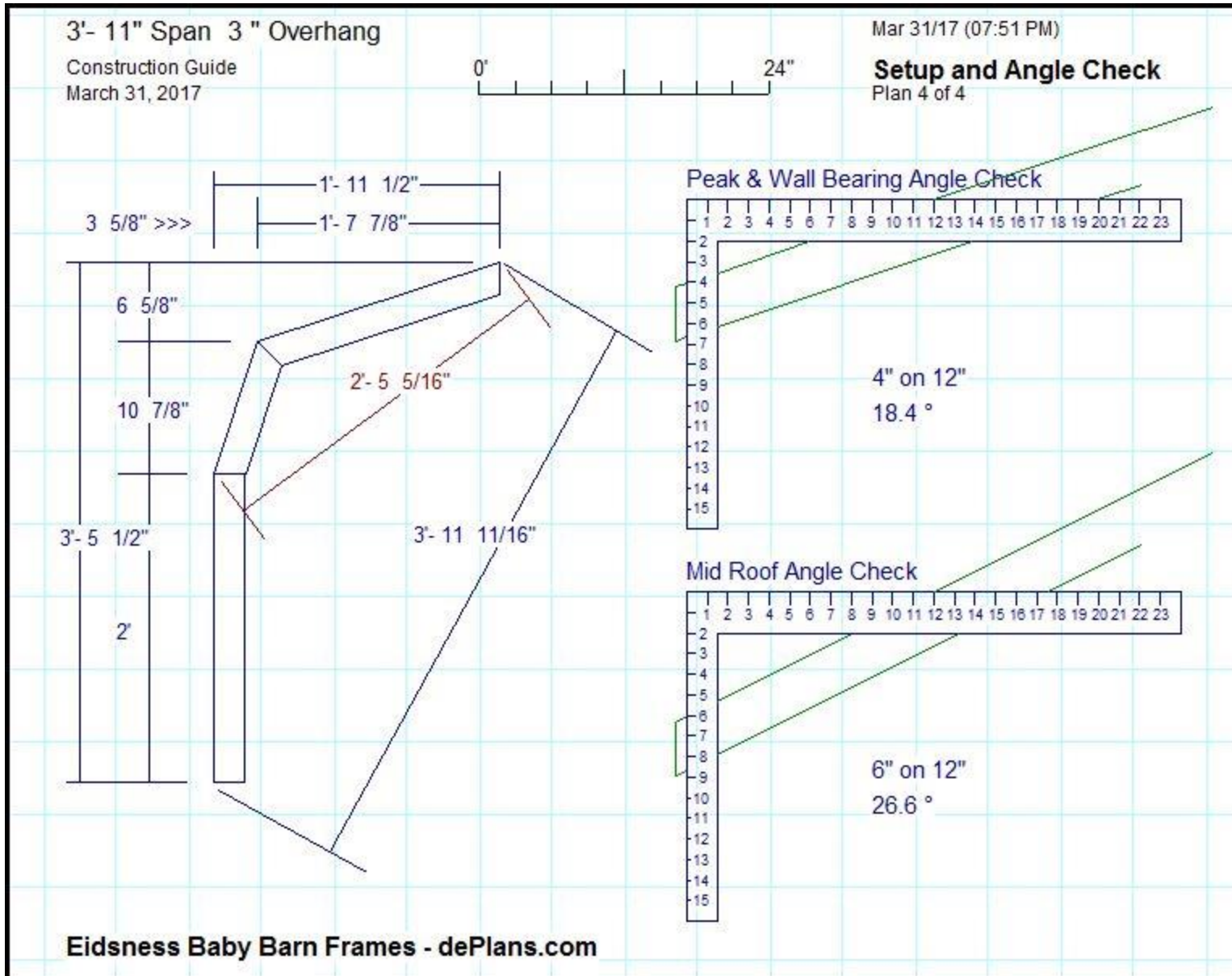


5/8" >>>

7 11/16" <<< 7/16"

8 3/4"

Eidsness Baby Barn Frames - dePlans.com



The software interface has a single design panel that generates plans that can be saved or printed out. Printout options allows user flexibility to choose the level of detail desired from a one page plan to a small booklet.

All software programs are unique in that client data can be hard coded (pre-programmed) into the applications for advertising purposes. Client data will appear on the plans.

This windows exe program is not a package of files requiring an install program. It is a single small executable application about 3 MB. Nothing to install or uninstall, just click and run.

The screenshot displays the dePlans software interface. On the left is the 'Imperial Design Panel' for a '3'- 11" Span 3" Overhang' project. It includes a 'u-design' logo, a title field, and various configuration options for components like Ridge Beam, Ceiling Tie, King Post, and Floor Joist. The panel also shows settings for gussets (Peak, Mid, Wall), soffit, roof slope (18.4°), span (3'- 11"), overhang (3"), wall to ceiling (1/16"), wall height (2'- 1 1/2"), and framing (2x3, 2, 8, 2 1/2").

On the right is a 'Cross Section' diagram of the barn frame. The diagram shows a gabled roof with a 4.00 on 12 (18.4°) slope. Key dimensions include a total span of 3'- 11", an overall height of 3'- 7", and a wall height of 2'- 1 1/2". A note indicates that the 3" overhang was reduced to 2 3/4" to compensate for a 3/4" thick soffit. The diagram also shows a scale bar from 0 to 24 inches and a timestamp of 'Mar 31/17 (07:51 PM)'. The title 'Eidsness Baby Barn Frames - dePlans.com' is visible at the bottom of the diagram area.

This complementary sample plan was created from software developed by D. I. Eidsness