

(11 to 12 year olds)
Construction Guide
March 26, 2017

Table & Bench

Mar 26/17 (07:02 PM)
Plan 1 of 6

Table

Top:	4 >>> 2 x 6	(1 1/2" X 5 1/2")
End Supports:	4 >>> 2 x 4	(1 1/2" X 3 1/2")
Centre Support:	1 >>> 2 x 4	(1 1/2" X 3 1/2")
Legs:	4 >>> 2 x 4	(1 1/2" X 3 1/2")
Braces:	2 Custom	(1 1/2" X 3 1/4")

Table Leg and Support Angle
39.7° 9 15/16" on 12" (Framing Square Check)

Bench

Top:	4 >>> 2 x 4	(1 1/2" X 3 1/2")
End Supports:	4 >>> 2 x 3	(1 1/2" X 2 1/2")
Centre Support:	1 >>> 2 x 3	(1 1/2" X 2 1/2")
Legs:	4 >>> 2 x 3	(1 1/2" X 2 1/2")
Braces:	2 Custom	(1 1/2" X 2 7/16")

Bench Leg and Support Angle
39.5° 9 7/8" on 12" (Framing Square Check)

Always load test your finished product to ensure it will safely support the intended weight.

Eidsness X Leg Table and Bench Set - www.dePlans.com

(11 to 12 year olds)
 Construction Guide
 March 26, 2017

Mar 26/17 (07:02 PM)
 Plan 2 of 6

Table

<u>Components</u>	<u>Lumber</u>	<u>Lumber Sizes</u>	<u>Lengths</u>	<u>Angles</u> (same angle on both ends)
Table Top Members	4 >>> 2 x 6	1 1/2" X 5 1/2"	5'	
End Supports	4 >>> 2 x 4	1 1/2" X 3 1/2"	1'- 5 13/16"	
Table Legs	4 >>> 2 x 4	1 1/2" X 3 1/2"	2'- 3 15/16"	
Centre Support	1 >>> 2 x 4	1 1/2" X 3 1/2"	1'- 10 3/8"	
Braces	2 Custom	1 1/2" X 3 1/4"	2'- 7/16"	

(Measure lengths along the dark lines shown above)

Check table top for squareness
 Table top corner to corner measures 5'- 4 1/16"

Angle check using a framing square
 39.7° angle is 9 15/16" on 12"
 21.6° angle is 4 3/4" on 12"

Always load test your finished product to ensure it will safely support the intended weight.

Eidsness X Leg Table and Bench Set - www.dePlans.com

(11 to 12 year olds)
Construction Guide
March 26, 2017

Mar 26/17 (07:02 PM)
Plan 3 of 6

Bench

The drawing shows a side view of the bench with a total length of 5 feet. The distance between the two end supports is 3 feet 11 inches. A central support is located 1 foot 2 3/8 inches from the left end. The height of the end supports is 1 foot 3 inches. The top members are 2 3/8 inches wide with a 1/8 inch gap between them. A 9 1/4 inch bolt is used to secure the central support to the top members. The end supports are attached to the top members at a 39.5 degree angle. Braces are attached to the legs at a 13.6 degree angle.

<u>Components</u>	<u>Lumber</u>	<u>Lumber Sizes</u>	<u>Lengths</u>	<u>Angles</u> (same angle on both ends)
Bench Top Members	4 >>> 2 x 4	1 1/2" X 3 1/2"	5'	
End Supports	4 >>> 2 x 3	1 1/2" X 2 1/2"	11 1/8"	
Bench Legs	4 >>> 2 x 3	1 1/2" X 2 1/2"	1'- 5 1/2"	
Centre Support	1 >>> 2 x 3	1 1/2" X 2 1/2"	1'- 2 3/8"	
Braces	2 Custom	1 1/2" X 2 7/16"	1'- 11 3/8"	

(Measure lengths along the dark lines shown above)

Check bench top for squareness
bench top corner to corner measures 5'- 1 11/16"

Angle check using a framing square
39.5° angle is 9 7/8" on 12"
13.6° angle is 2 7/8" on 12"

Always load test your finished product to ensure it will safely support the intended weight.

Eidsness X Leg Table and Bench Set - www.dePlans.com

(11 to 12 year olds) Mar 26/17 (07:02 PM)
 Construction Guide Plan 4 of 6
 March 26, 2017

Table Components

Table Top Members
 4 >>> 2 x 6
 1 1/2" X 5 1/2"

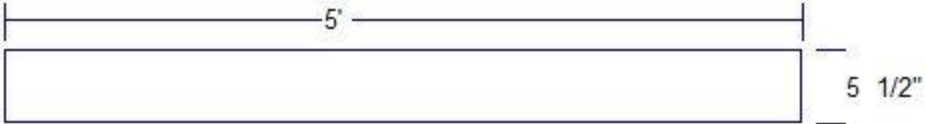


Table End Supports
 4 >>> 2 x 4
 1 1/2" X 3 1/2" Same 39.7° both ends

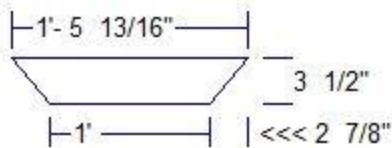


Table Legs
 4 >>> 2 x 4
 1 1/2" X 3 1/2" Same 39.7° both ends

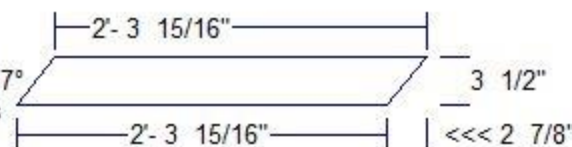


Table Centre Support
 1 >>> 2 x 4
 1 1/2" X 3 1/2" Same 39.7° both ends

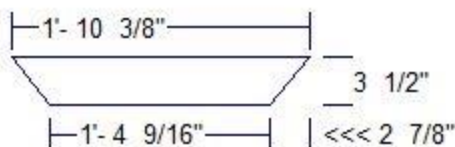
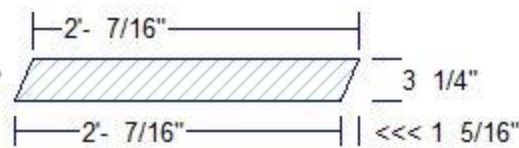


Table Braces
 2 Custom
 1 1/2" X 3 1/4" Same 21.6° both ends



Always load test your finished product to ensure it will safely support the intended weight.

Eidsness X Leg Table and Bench Set - www.dePlans.com

(11 to 12 year olds)

Mar 26/17 (07:02 PM)

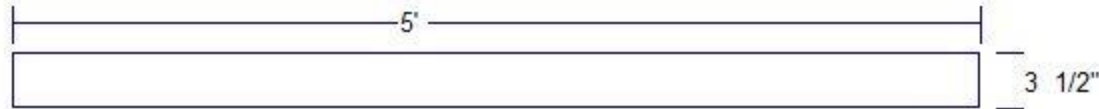
Construction Guide
March 26, 2017

Bench Components

Plan 5 of 6

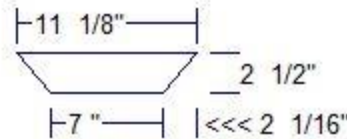
Bench Top Members

4 >>> 2 x 4
1 1/2" X 3 1/2"



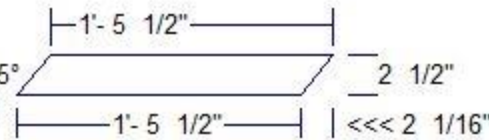
Bench End Supports

4 >>> 2 x 3
1 1/2" X 2 1/2" Same 39.5°
both ends



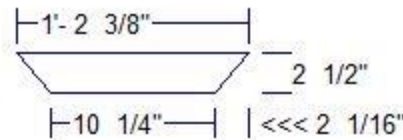
Bench Legs

4 >>> 2 x 3
1 1/2" X 2 1/2" Same 39.5°
both ends



Bench Centre Support

1 >>> 2 x 3
1 1/2" X 2 1/2" Same 39.5°
both ends



Bench Braces

2 Custom
1 1/2" X 2 7/16" Same 13.6°
both ends



Always load test your finished product to ensure it will safely support the intended weight.

Eidsness X Leg Table and Bench Set - www.dePlans.com

(11 to 12 year olds) Mar 26/17 (07:02 PM)

Construction Guide Plan 6 of 6
March 26, 2017

Angle Check

Table Legs & Supports Angle Check

9 15/16" on 12"
39.7 °

Table Braces Angle Check

4 3/4" on 12"
21.6 °

Bench Legs & Supports Angle Check

9 7/8" on 12"
39.5 °

Bench Braces Angle Check

2 7/8" on 12"
13.6 °

Eidsness X Leg Table and Bench Set - www.dePlans.com

(11 to 12 year olds)
Construction Guide
March 26, 2017

Mar 26/17 (07:02 PM)
Plan 1 of 1

Top Member Gaps: 1/8"

	Bench	Table
Top Members:	4 (Bench Tops) 5' 2 x 4 (1 1/2" X 3 1/2")	4 (Table Tops) 5' 2 x 6 (1 1/2" X 5 1/2")
4 >>> End Supports:	11 1/8" 2 x 3 (1 1/2" X 2 1/2") 39.5°	1'-5 13/16" 2 x 4 (1 1/2" X 3 1/2") 39.7°
4 >>> Legs:	1'-5 1/2" 2 x 3 (1 1/2" X 2 1/2") 39.5°	2'-3 15/16" 2 x 4 (1 1/2" X 3 1/2") 39.7°
1 >>> Centre Support:	1'-2 3/8" 2 x 3 (1 1/2" X 2 1/2") 39.5°	1'-10 3/8" 2 x 4 (1 1/2" X 3 1/2") 39.7°
Framing Square Setting:	39.5° angle is 9 7/8" on 12"	39.7° angle is 9 15/16" on 12"
2 >>> Braces:	1'-11 3/8" Custom (1 1/2" X 2 7/16") 13.6°	2'-7/16" Custom (1 1/2" X 3 1/4") 21.6°
Framing Square Setting:	13.6° angle is 2 7/8" on 12"	21.6° angle is 4 3/4" on 12"
Bolt Through Legs and Brace:	9 1/4"	8 1/8"
Top Squaring Diagonal X:	5'-1 11/16"	5'-4 1/16"

Measure line for the Supports

Measure line for the Legs and Braces

Always load test your finished product to ensure it will safely support the intended weight.

Eidsness X Leg Table and Bench Set - www.dePlans.com

The software interface has a single design panel that generates plans that can be saved or printed out. Printout options allows user flexibility to choose the level of detail desired from a one page plan to a small booklet.

All software programs are unique in that client data can be hard coded (pre-programmed) into the applications for advertising purposes. Client data will appear on the plans.

This windows exe program is not a package of files requiring an install program. It is a single small executable application about 3 MB. Nothing to install or uninstall, just click and run.

The screenshot shows the dePlans software interface. On the left is the 'Design Panel' with various settings for the project. On the right is the 'Construction Guide' for a table and bench set, including diagrams and a parts list.

Design Panel Settings:

- Title: (11 to 12 year olds)
- Imperial selected, Grid unchecked, Size Guide checked
- 6" (152 mm) scale, 100% Factor
- Table/Bench Length: 5'
- Table/Bench Overhang: 3 1/2"
- Table/Bench Gaps: 1/8"
- Table Height: 1'- 11"
- Table Top: 4 x 2 X 6 x 1 8 x 5 8 x 1 1/2" x 5 1/2"
- Table Support: 2 X 4 x 1 8 x 3 8 x 1 1/2" x 3 1/2"
- Table Legs: 2 X 4 x 1 8 x 3 8 x 1 1/2" x 3 1/2"
- Table Brace: checked, 2 X 4 x 1 8 x 1 1/2" x 3 1/2"
- Bench Height: 1'- 3"
- Bench Top: 4 x 2 X 4 x 1 8 x 3 8 x 1 1/2" x 3 1/2"
- Bench Support: 2 X 3 x 1 8 x 2 8 feet
- Bench Legs: 2 X 3 x 1 8 x 2 8 feet
- Bench Brace: checked, 2 X 3 x 1 8 x 1 1/2" x 2 7/16"

Construction Guide Details:

- Project: (11 to 12 year olds), Construction Guide, March 26, 2017
- Top Member Gaps: 1/8"
- Diagrams show bench and table views with dimensions like 1'- 10 3/8", 1'- 11", 5', 3'- 11", and 8 1/8" bolt length.
- Table Parts List:**
 - 4 (Table Tops): 5' x 2 x 6 (1 1/2" X 5 1/2")
 - 4 (Table Legs): 1'- 5 13/16" x 2 x 4 (1 1/2" X 3 1/2") 39.7"
 - 2 (Table Braces): 2'- 7/16" x 2 x 4 (1 1/2" X 3 1/2") 39.7"
 - 4 (Table Supports): 1'- 5 13/16" x 2 x 3 (1 1/2" X 2 1/2") 39.5"
 - 2 (Table Squaring Diagonals): 5'- 1 11/16" x 5'- 4 1/16"
- Bench Parts List:**
 - 4 (Bench Tops): 5' x 2 x 4 (1 1/2" X 3 1/2")
 - 4 (Bench Legs): 1'- 5 1/2" x 2 x 3 (1 1/2" X 2 1/2") 39.5"
 - 1 (Bench Centre Support): 1'- 2 3/8" x 2 x 3 (1 1/2" X 2 1/2") 39.5"
 - 2 (Bench Braces): 1'- 11 3/8" x Custom (1 1/2" X 2 7/16") 13.6"
 - 4 (Bench Supports): 11 1/8" x 2 x 3 (1 1/2" X 2 1/2") 39.5"
- Measure line for the Supports: Long Point to Long Point
- Measure line for the Legs and Braces: Short Point to Long Point
- Always load test your finished product to ensure it will safely support the intended weight.
- Eidsness X Leg Table and Bench Set - www.dePlans.com